

# Molo L

## SPOT



## DESCRIPTION

Molo L is a high-output recessed luminaire designed for demanding applications where performance and reliability are essential.

With quick, straightforward installation and a clean, minimal look, it integrates seamlessly into the ceiling while delivering powerful, uniform illumination.

It is ideal for high ceilings and large-scale areas such as warehouses and other spaces where robust, efficient lighting is required.



**High-output performance:** Designed for higher mounting heights and wide areas, providing reliable visibility in large spaces.



**Easy installation:** Fast, straightforward mounting helps reduce on-site installation time.



**Built for demanding environments:** A practical choice for facilities with intensive operation.

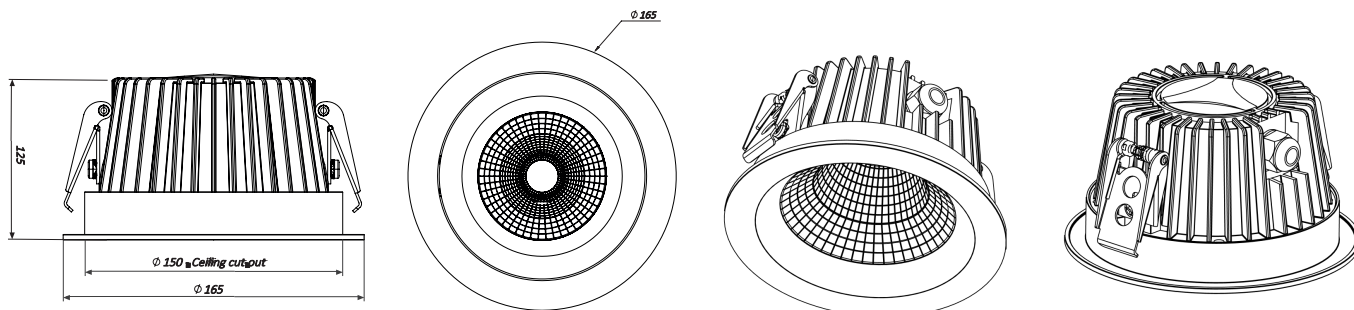


website

## General specifications

|                     |                                 |
|---------------------|---------------------------------|
| Type of luminaire   | built-in light (light module)   |
| Application areas   | general and accent lighting     |
| Supply unit         | LED driver                      |
| Nominal voltage     | 230V, 50Hz                      |
| Lighting technology | LED COB                         |
| Optic               | Aluminum reflector MIRO-Silver® |
| Power factor        | 0,95                            |
| Cooling             | passive                         |
| Body                | aluminum                        |
| Weight              | 0,65 kg                         |
| Package             | single / group                  |
| Life time           | 50 000 hours                    |
| Warranty            | 5 years/50 000 hours            |
| Certification       | CE, UKCA, UA                    |

## Dimensions



## Scope of application



# Molo L

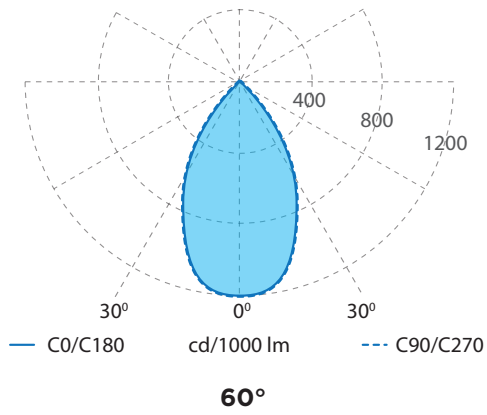
## SPOT

### Nomenclature

| Luminaire SPOT Molo L |                       |                      |                     |                                       |                                |                         |                      |                                                                      |
|-----------------------|-----------------------|----------------------|---------------------|---------------------------------------|--------------------------------|-------------------------|----------------------|----------------------------------------------------------------------|
| Order Type            | Luminaire Filter Type | Luminaire Beam Angle | Luminaire Power, W  | Luminaire Color Rendering Index (CRI) | Luminaire Color Temperature, K | Luminaire Mounting Type | Luminaire IP Rating  | Luminaire Housing Color                                              |
| SO                    | CG                    | 60°                  | 9<br>13<br>19<br>22 | 8                                     | 3000<br>3500<br>4000<br>5000   | BI                      | IP21<br>IP44<br>IP67 | <b>BL</b><br>black<br>RAL 9005<br><br><b>WH</b><br>white<br>RAL 9016 |

The deviation of actual power consumption from the specified values does not exceed  $\pm 5\%$ ;  
The luminous flux calculation is based on LEDs with a color temperature of 4000K, CRI80. The deviation of luminous flux from the specified values does not exceed  $\pm 10\%$

## Beam angle



Technical details, as well as size and weight parameters were prepared as accurately as possible. All dimensions in mm. LED Lifetime Information - L90 / B10 at 25 °C ambient temperature. A tolerance of +/- 10% applies to luminous flux and performance characteristics. Minimum color rendering indices  $R_a > 80$  /  $> 90$ . Product images are used as an example and may differ from the original. We reserve the right to make changes in order to improve the product.