

# Iris S

SPOT



## DESCRIPTION

Iris S is a compact spot luminaire with a modern, minimal design, created for precise accent lighting in commercial interiors.

Its small form factor makes it ideal for discreet integration into ceilings and clean, uncluttered interiors.

Iris S features a rotatable spotlight head that enables precise accent lighting and flexible beam direction.



**Creates focused light.**



**Modern, compact design:**  
A clean form that blends into contemporary interiors.



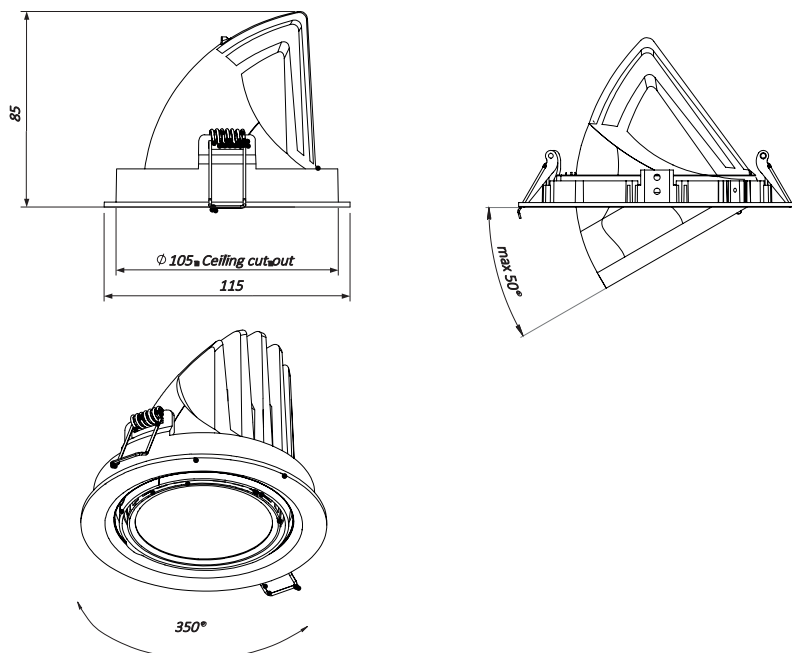
**Easy installation:**  
Designed for fast, hassle-free mounting on site.



## General specifications

Type of luminaire	spot (spot light module)
Application areas	accent lighting
Supply unit	LED Driver integrated
Nominal voltage	230V, 50Hz
Lighting technology	LED COB
Optic	aluminum reflector MIRO-Silver®
Power factor	0,95
Cooling	passive
Body	aluminum
Weight	0,45 kg
Package	single/group
Life time	50 000 hours
Warranty	5 years/50 000 hours
Certification	CE, UKCA, UA

## Dimensions



## Scope of application



# Iris S

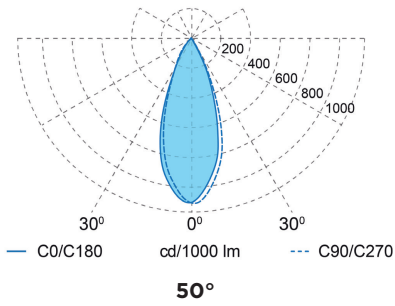
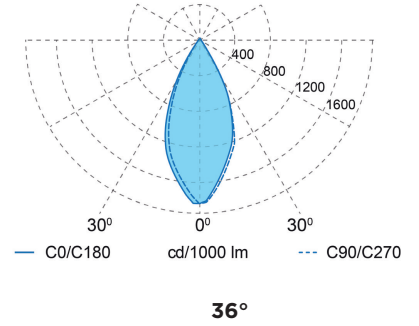
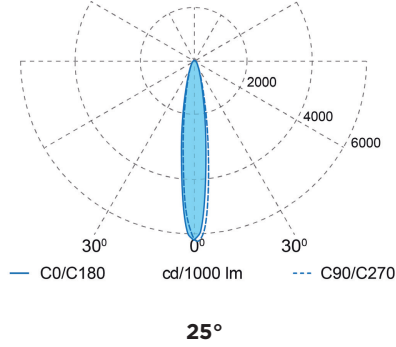
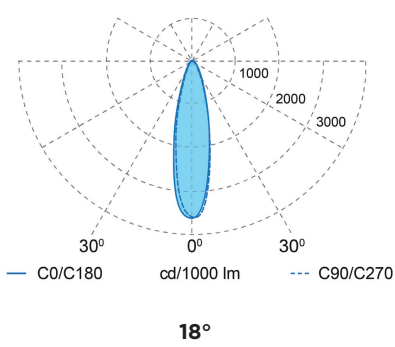
## SPOT

### Nomenclature

Luminaire SPOT Iris S									
			<b>SO</b>	<b>36°</b>	<b>15W</b>	<b>840</b>	<b>BI</b>	<b>IP21</b>	<b>BL</b>
Order Type	Luminaire Beam Angle	Luminaire Power, W	Luminaire Color Rendering Index (CRI)	Luminaire Color Temperature, K	Luminaire Mounting Type	Luminaire IP Rating	Luminaire Housing Color		
<b>SO</b>	<b>18°</b>	<b>6</b>	<b>8</b>	<b>3000</b>	<b>BI</b>	<b>IP21</b>	<b>BL</b> black RAL9005		
	<b>25°</b>	<b>9</b>		<b>3500</b>					
	<b>36°</b>	<b>11</b>	<b>9</b>	<b>4000</b>			<b>WH</b> white RAL9016		
	<b>50°</b>	<b>13</b>		<b>2700</b>					
		<b>15</b>		<b>3000</b>					
				<b>3500</b>					
				<b>4000</b>					

The deviation of actual power consumption from the specified values does not exceed  $\pm 5\%$ ;  
 The luminous flux calculation is based on LEDs with a color temperature of 4000K, CRI80. The deviation of luminous flux from the specified values does not exceed  $\pm 10\%$

## Beam angle



Technical details, as well as size and weight parameters were prepared as accurately as possible. All dimensions in mm. LED Lifetime Information - L90 / B10 at 25 °C ambient temperature. A tolerance of +/- 10% applies to luminous flux and performance characteristics. Minimum color rendering indices Ra > 80 / > 90. Product images are used as an example and may differ from the original. We reserve the right to make changes in order to improve the product.