

Iris

SPOT



DESCRIPTION

Iris is a spot luminaire with a modern, minimal design, created for precise accent lighting in commercial interiors.

Engineered for quick, straightforward installation, it delivers clean, controlled illumination and helps highlight key products or zones with confidence.

Iris features a rotatable spotlight head that enables precise accent lighting and flexible beam direction.



Modern, compact design: A clean form that blends into contemporary interiors.



Easy installation: Designed for fast, hassle-free mounting on site.



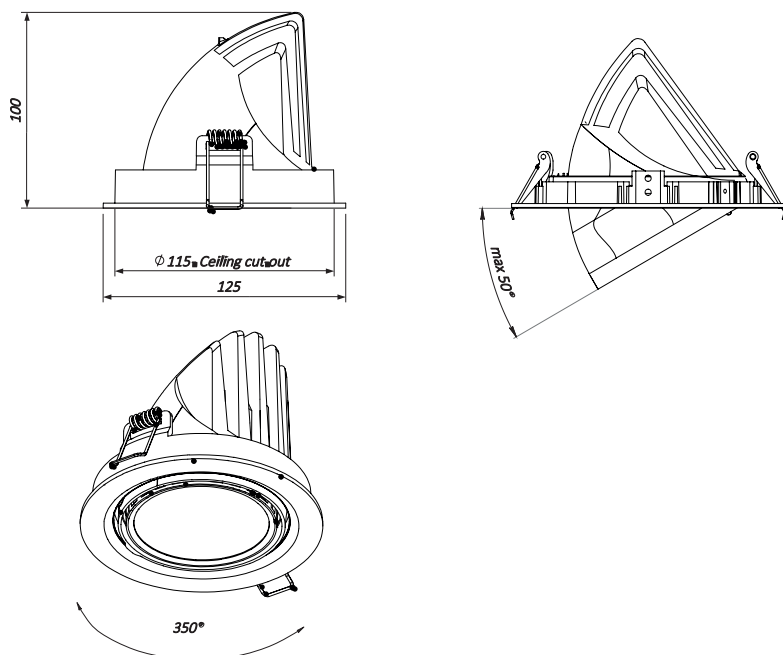
High output: Strong performance that can reduce the number of fixtures required in a project.



General specifications

Type of luminaire	spot (spot light module)
Application areas	accent lighting
Supply unit	LED Driver integrated
Nominal voltage	230V, 50Hz
Lighting technology	LED COB
Optic	aluminum reflector MIRO-Silver®
Power factor	0,95
Cooling	passive
Body	aluminum
Weight	0,52 kg
Package	single/group
Life time	50 000 hours
Warranty	5 years/50 000 hours
Certification	CE, UKCA, UA

Dimensions



Scope of application



Iris

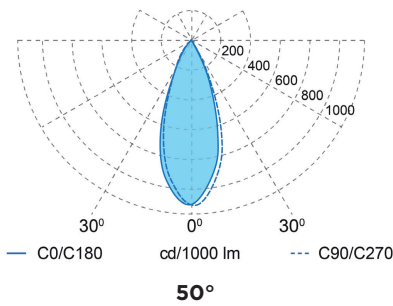
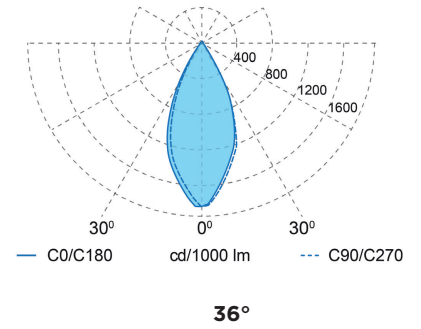
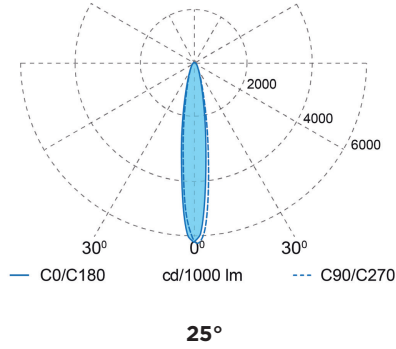
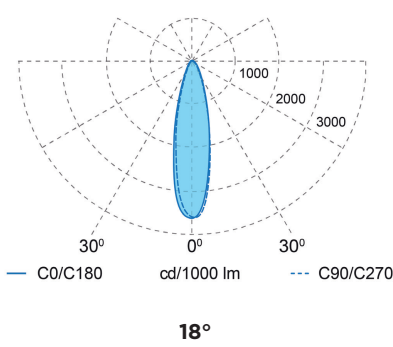
SPOT

Nomenclature

Luminaire SPOT Iris					SO	50°	13W	840	BI	IP21	BL
Order Type	Luminaire Beam Angle	Luminaire Power, W	Luminaire Color Rendering Index (CRI)	Luminaire Color Temperature, K	Special Luminaire Light			Luminaire Mounting Type	Luminaire IP Rating	Luminaire Housing Color	
SO	18°	13	8	3000	meat red meat white meat vivid elite bread bread vivid bakery cheese vegetables&fruits vegetables&fruits vivid fish white fish vivid fish premium color 3000 bright color 3000 bright color 3500	BI	IP21	BL	black RAL 9005	WH	white RAL9016
	25°	19		3500							
	36°	22		4000							
	50°	24		9							
	27	3000									
			3500								
			4000								

The deviation of actual power consumption from the specified values does not exceed ±5%;
 The luminous flux calculation is based on LEDs with a color temperature of 4000K, CRI80. The deviation of luminous flux from the specified values does not exceed ±10%

Beam angle



Technical details, as well as size and weight parameters were prepared as accurately as possible. All dimensions in mm. LED Lifetime Information - L90 / B10 at 25 °C ambient temperature. A tolerance of +/- 10% applies to luminous flux and performance characteristics. Minimum color rendering indices Ra > 80 / > 90. Product images are used as an example and may differ from the original. We reserve the right to make changes in order to improve the product.