

Plano 3.0 3PH

LINE



DESCRIPTION

The Plano 3.0 luminaire is designed for 3-phase busbar, with a more elegant design. Two miniature and lightweight adapters replace the large adapter, making setup easier and giving the luminaire a modern and sleek look.

The Plano 3.0 lamellae also rotate outward relative to the horizontal plane, making this luminaire a great choice for those who value flexibility in light control without sacrificing aesthetics.

Plano 3.0 will fit perfectly into interiors that demand sophistication and ease of customization.



Versatility. With this lamp, you can easily create a general diffused or accent light.



Power. Allows the use of fewer luminaires per project.



Possibility to combine optics. You can combine multiple optics in one luminaire for different lighting tasks on parallel shelves.



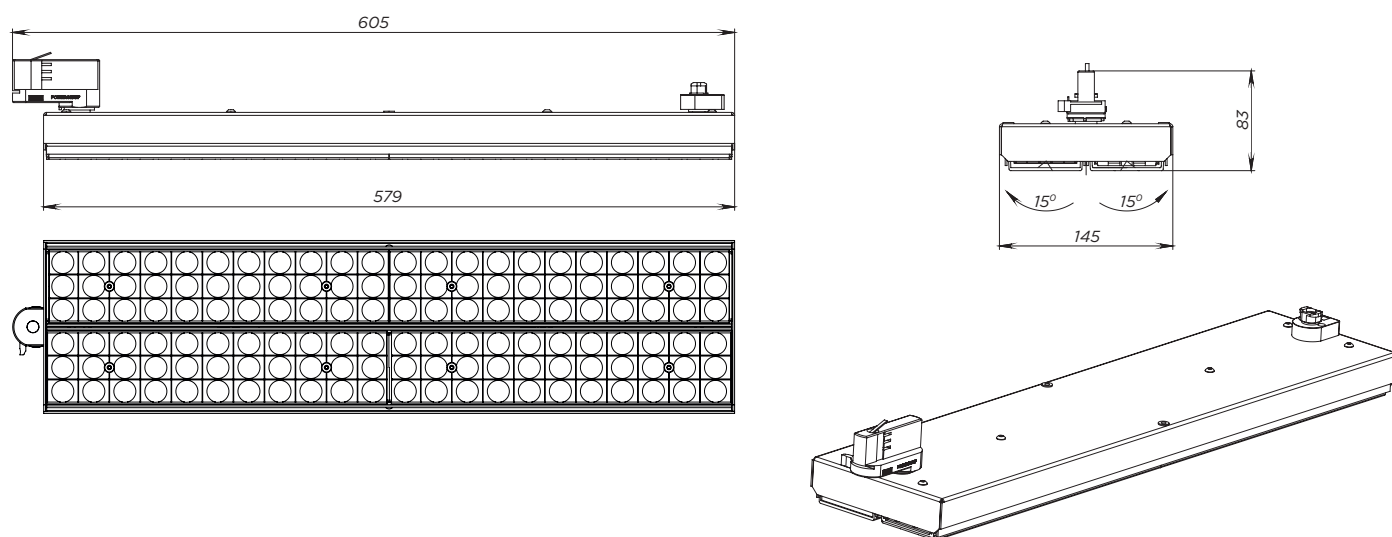
Flexibility in lighting settings. Allows you to direct the light of each lamella separately, by turning it within 15 degrees relative to the horizontal plane.



General specifications

Type of luminaire	Line (linear light)
Application areas	general and accent lighting
Supply unit	LED Driver integrated
Nominal voltage	230V, 50Hz
Lighting technology	LED SMD 2835
Optic	PC
Power factor	0,95
Cooling	passive
Body	Steel
Weight	2,5 kg
Package	Single
Life time	50,000 hours.
Warranty	5 years/50,000 hours
Certification	CE, UKCA, UA

Dimensions



Scope of application



Plano 3.0 3PH

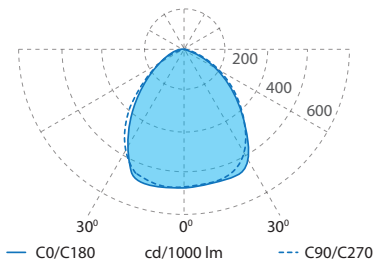
LINE

Nomenclature

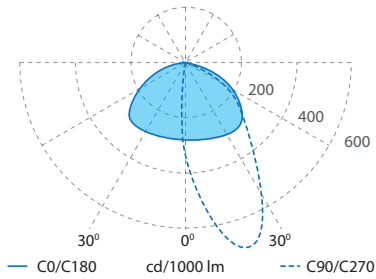
Luminaire LINE Plano 3.0									
Order Type	Type of luminaire board	Luminaire Filter Type	Luminaire Beam Angle	Luminaire Power, W	Luminaire Color Rendering Index (CRI)	Luminaire Color Temperature, K	Luminaire Mounting Type	Luminaire IP Rating	Luminaire Housing Color
SO	3R	LF	90°	25 30 35 40 45 50 55 60 65 70 75 80	8	3000 3500 4000	3PH	IP21	BL black RAL 9005 WH white RAL9016

The deviation of actual power consumption from the specified values does not exceed $\pm 5\%$;
 The luminous flux calculation is based on LEDs with a color temperature of 4000K, CRI80. The deviation of luminous flux from the specified values does not exceed $\pm 10\%$

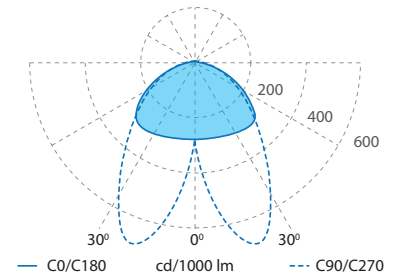
Beam angle



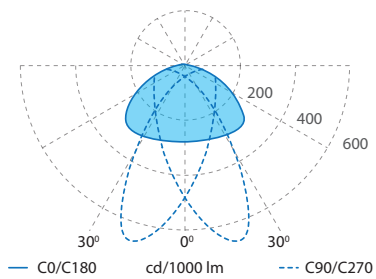
90°



AS25WX120



DS25WX120



DS24WX120

Technical details, as well as size and weight parameters were prepared as accurately as possible. All dimensions in mm. LED Lifetime Information - L90 / B10 at 25 °C ambient temperature. A tolerance of +/- 10% applies to luminous flux and performance characteristics. Minimum color rendering indices Ra > 80 / > 90. Product images are used as an example and may differ from the original. We reserve the right to make changes in order to improve the product.