

# Mirror X2

LINE



## DESCRIPTION

LINE Mirror X2 is a dual luminaire mounted symmetrically on both sides of the mirror. A single power connection supplies both luminaires, simplifying installation and reducing costs.

Its soft, shadow-free light delivers a clear and pleasant reflection, smoothing facial lines, making the figure appear slimmer, and enhancing the customer's overall look. The compact design also fits well into corner areas.



**Minimalist format** with perfect fit for corner installations



**Smooth, glare-free light** diffusion



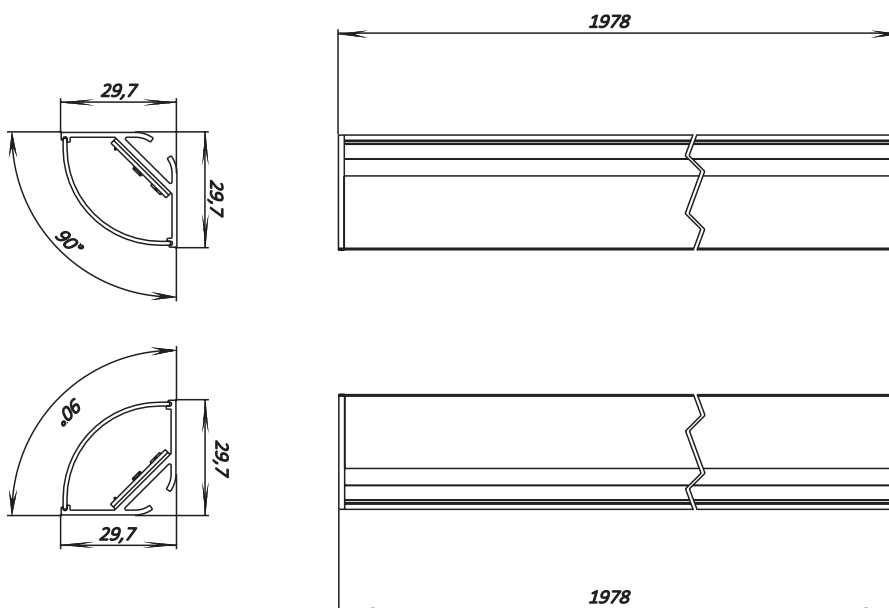
**Enhances appearance:** no shadows or distortion



## General specifications

Type of luminaire	Line (linear light)
Application areas	general lighting
Supply unit	LED driver
Nominal voltage	230V, 50Hz
Lighting technology	LED SMD 2835
Optic	PC
Power factor	0.95
Cooling	passive
Body	aluminum
Weight	1.4 kg
Package	Single / group
Life time	50,000 hours.
Warranty	5 years/50,000 hours
Certification	CE, UKCA, UA

## Dimensions



## Scope of application



# Mirror X2

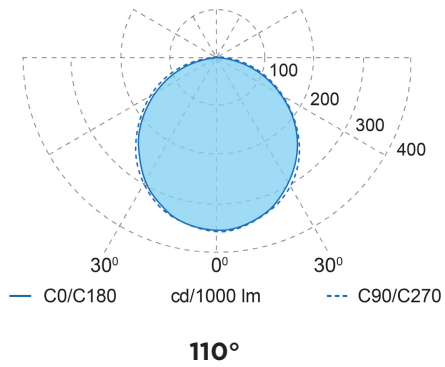
LINE

## Nomenclature

Luminaire LINE Mirror X2												
Order type	Conditional length	Linear luminaire configuration	Type of luminaire board	Luminaire Filter Type	Luminaire Beam Angle	Luminaire Power, W	ICRI/ Color temperature, K	Luminaire Color Temperature, K	Luminaire Mounting Type	Luminaire IP Rating	Luminaire Housing Color	
SO	2x2000	SN	1R	OF	110°	32 42	8 9	3000 3500 4000	SM	IP21	BL	black RAL 9005
											WH	white RAL9016
											NC	

The deviation of actual power consumption from the specified values does not exceed  $\pm 5\%$ ;  
 The luminous flux calculation is based on LEDs with a color temperature of 4000K, CRI80. The deviation of luminous flux from the specified values does not exceed  $\pm 10\%$

## Beam angle



Technical details, as well as size and weight parameters were prepared as accurately as possible. All dimensions in mm. LED Lifetime Information - L90 / B10 at 25 °C ambient temperature. A tolerance of +/- 10% applies to luminous flux and performance characteristics. Minimum color rendering indices Ra > 80 / > 90. Product images are used as an example and may differ from the original. We reserve the right to make changes in order to improve the product.