

# Mirror X1

LINE



## DESCRIPTION

LINE Mirror X1 is a fitting room luminaire designed for installation in the corner between two walls.

Its soft, diffused light eliminates shadows, providing a clear and flattering reflection that smooths facial features, enhances body contours, and improves the overall appearance.

A perfect solution for fitting rooms where compact design and high-quality visual rendering are essential.



**Minimalist format** with perfect fit for corner installations



**Smooth, glare-free light** diffusion



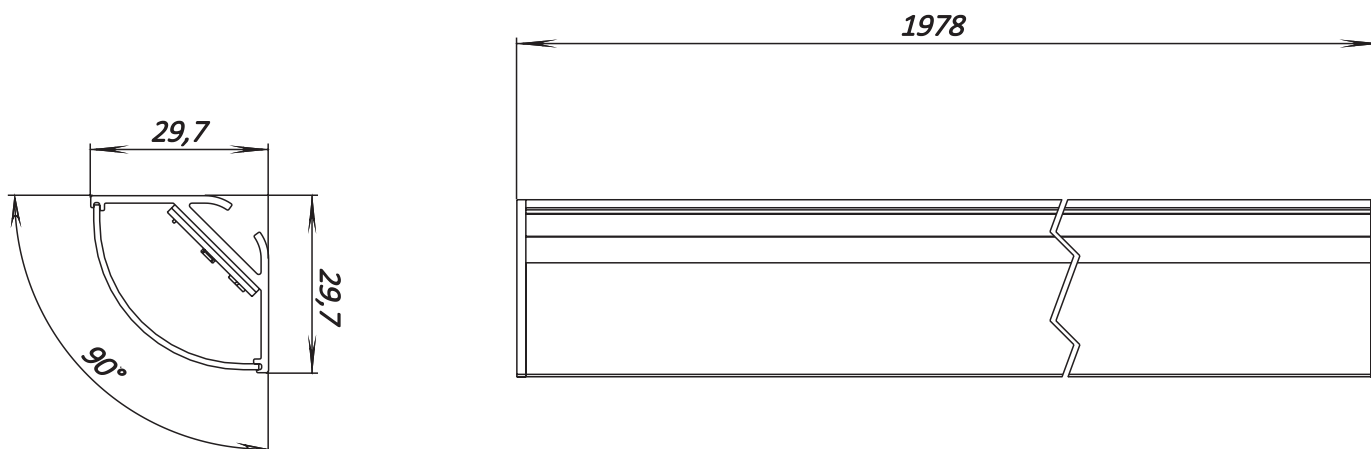
**Enhances appearance:** no shadows or distortion



## General specifications

Type of luminaire	Line (linear light)
Application areas	general lighting
Supply unit	LED driver
Nominal voltage	230V, 50Hz
Lighting technology	LED SMD 2835
Optic	PC
Power factor	0.95
Cooling	passive
Body	aluminum
Weight	0.7 kg
Package	Single
Life time	50,000 hours.
Warranty	5 years/50,000 hours
Certification	CE, UKCA, UA

## Dimensions



## Scope of application



# Mirror X1

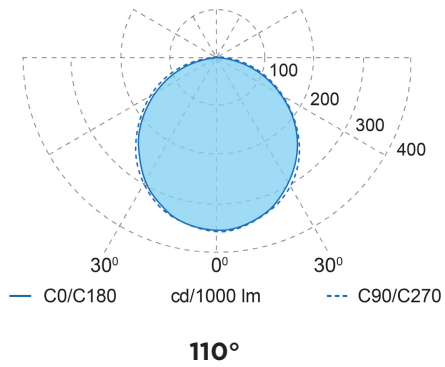
LINE

## Nomenclature

Luminaire LINE Mirror X1												
Order type	Conditional length	Linear luminaire configuration	Type of luminaire board	Luminaire Filter Type	Luminaire Beam Angle	Luminaire Power, W	ICRI/ Color temperature, K	Luminaire Color Temperature, K	Luminaire Mounting Type	Luminaire IP Rating	Luminaire Housing Color	
SO	2000	SN	1R	OF	110°	16 22	8 9	3000 3500 4000	SM	IP21	BL	black RAL 9005
											WH	white RAL9016
											NC	

The deviation of actual power consumption from the specified values does not exceed  $\pm 5\%$ ;  
 The luminous flux calculation is based on LEDs with a color temperature of 4000K, CRI80. The deviation of luminous flux from the specified values does not exceed  $\pm 10\%$

## Beam angle



Technical details, as well as size and weight parameters were prepared as accurately as possible. All dimensions in mm. LED Lifetime Information - L90 / B10 at 25 °C ambient temperature. A tolerance of +/- 10% applies to luminous flux and performance characteristics. Minimum color rendering indices Ra > 80 / > 90. Product images are used as an example and may differ from the original. We reserve the right to make changes in order to improve the product.