

Linda

LINE



DESCRIPTION

Luminaire for accent and general lighting
Linda for solving complex problems.
Aisle flood light or product accent
lighting - Linda luminaire will solve
any problem, thanks to a system
with special optical systems.

The flexibility and innovation
of this luminaire takes LED lighting
to a new level.



Speed of installation
and replacement.



Versatility. With this luminaire you
can easily create a general
or accent light.

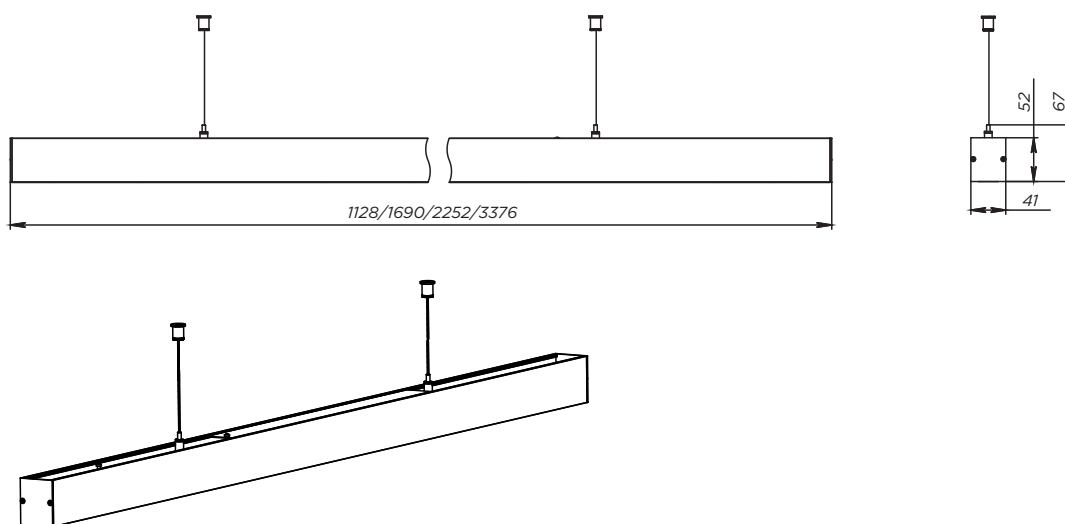


website

General specifications

Luminaire type	Line (linear light)
Purpose	general and accent lighting
Supply unit	Integrated LED driver
Normal voltage	230V, 50Hz
Lighting technology	LED SMD 2835
Optic	PMMA
Power factor	0.95
Cooling	passive
Body	aluminum
Weight	1.8/2.3/3.2/4.5 kg
Package	Single / group
Life time	50,000 hours.
Warranty	5 years/50,000 hours
Certification	CE, UKCA, UA

Dimensions



Application area



Linda

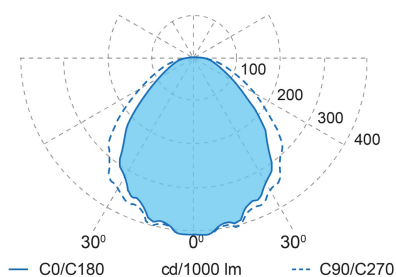
LINE

Nomenclature

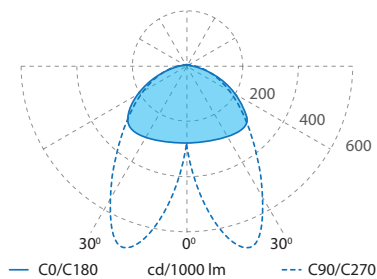
Luminaire LINE Linda													
Order type	Conditional length	Linear luminaire configuration	Type of main cable for a linear luminaire	Type of luminaire board	Luminaire Filter Type	Luminaire Beam Angle	Luminaire Power, W	CRI/ Color temperature, K	Luminaire Color Temperature, K	Luminaire Mounting Type	Luminaire IP Rating	Luminaire Housing Color	
SO	1200	SN CM	3x1.5	1R	LF	DS25Wx120	20	8 9	3000 3500 4000	SP	IP21	BL	black RAL 9005
						AS15Wx100	25						
						DS40Wx90	30						
						35							
	90					30							
						35							
		40											
	1700	45											
		50											
		55											
		2200	35										
			40										
	45												
	50												
	55												
	60												
65													
3400	70												
	60												
	70												
	80												
	90												
100													
110													

The deviation of actual power consumption from the specified values does not exceed $\pm 5\%$;
 The luminous flux calculation is based on LEDs with a color temperature of 4000K, CRI80. The deviation of luminous flux from the specified values does not exceed $\pm 10\%$

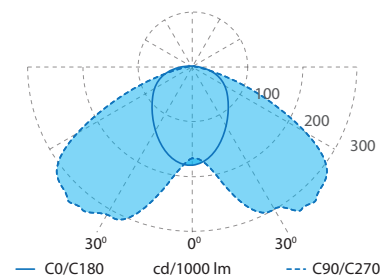
Beam angle option



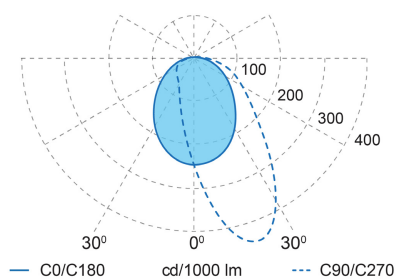
90°



DS25WX120



DS40Wx90



AS35Wx90

Technical details, as well as size and weight parameters were prepared as accurately as possible. All dimensions in mm. LED Lifetime Information - L90 / B10 at 25 °C ambient temperature. A tolerance of +/- 10% applies to luminous flux and performance characteristics. Minimum color rendering indices Ra > 80 / > 90. Product images are used as an example and may differ from the original. We reserve the right to make changes in order to improve the product.