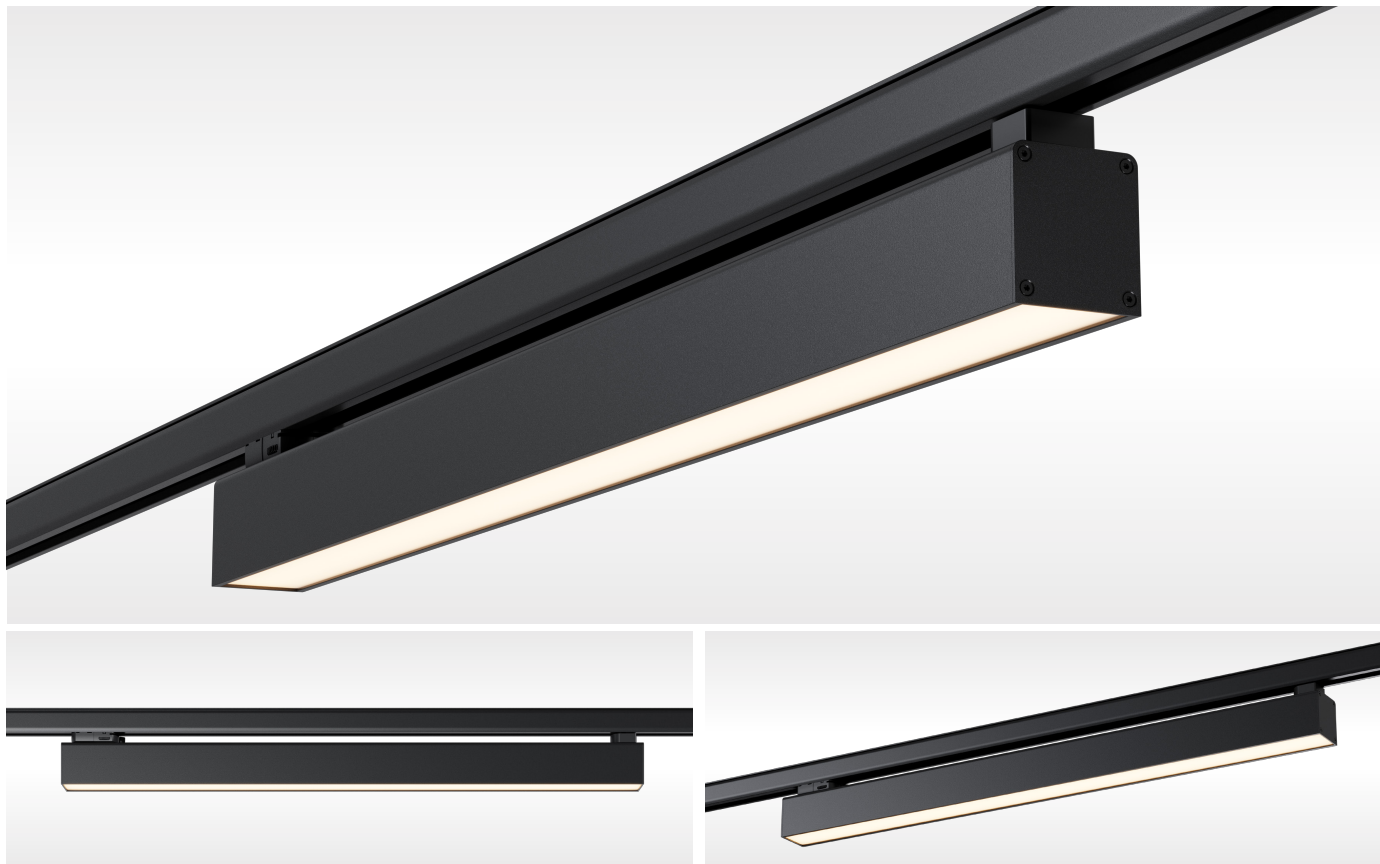


Komo 3PH

LINE



DESCRIPTION

Like any linear luminaire, the Komo linear luminaire is part of the design of the room, the soft diffused light from the opal or microprismatic diffuser does not irritate the eye. You can see this lamp in a school or sports club, office or store.



Comfortable for customers and employees.

The opal or microprismatic diffuser creates a comfortable illumination and does not blind the eye.



High power of the luminaire.

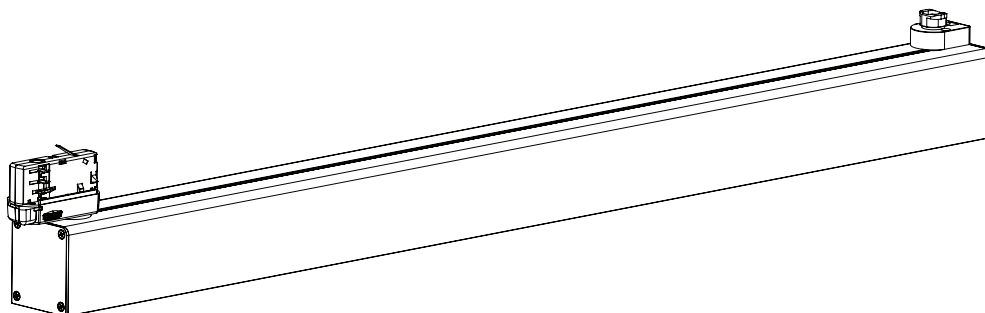
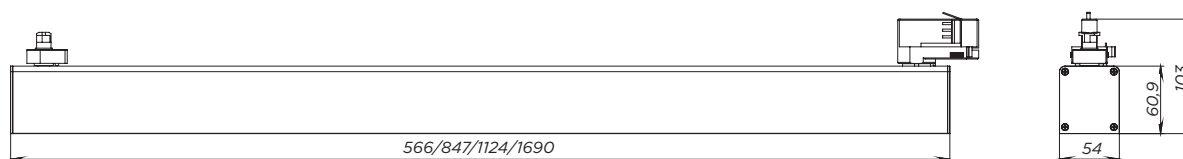
Power up to 70W – allows you to use fewer luminaires on a project to achieve the same level of illumination.



General specifications

Type of luminaire	Line (linear light)
Application areas	general lighting
Supply unit	LED Driver integrated
Nominal voltage	230V, 50Hz
Lighting technology	LED SMD 2835
Optic	PC
Power factor	0.95
Cooling	passive
Body	aluminum
Weight	0,9/1,1/1,6/2,4 kg
Package	Single / group
Life time	50,000 hours.
Warranty	5 years/50,000 hours
Certification	CE, UKCA, UA

Dimensions



Application area



Komo 3PH

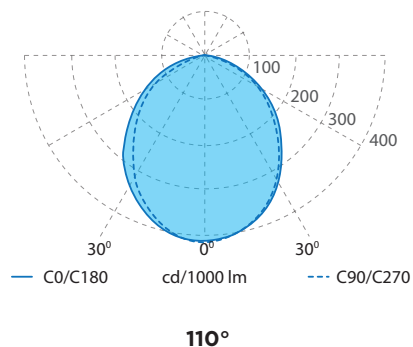
LINE

Nomenclature

Luminaire LINE Komo													
Order type	Conditional length	Linear luminaire configuration	Type of luminaire board	Luminaire Filter Type	Luminaire Beam Angle	Luminaire Power, W	CRI/ Color temperature, K	Luminaire Color Temperature, K	Luminaire Mounting Type	Luminaire IP Rating	Luminaire Housing Color		
SO	600	SN	1R	OF MF	110°	20	8	3000 3500 4000	3PH	IP21	BL	black RAL 9005	
						25							
						30							
	900					35							
						40							
						1200							25
													30
	35												
	40												
	45												
	1700					50							
						35							
						40							
						45							
						50							
						55							
60													
65													
70													
WH	white RAL9016												

The deviation of actual power consumption from the specified values does not exceed $\pm 5\%$;
 The luminous flux calculation is based on LEDs with a color temperature of 4000K, CRI80. The deviation of luminous flux from the specified values does not exceed $\pm 10\%$

Beam angle option



Technical details, as well as size and weight parameters were prepared as accurately as possible. All dimensions in mm. LED Lifetime Information - L90 / B10 at 25 °C ambient temperature. A tolerance of +/- 10% applies to luminous flux and performance characteristics. Minimum color rendering indices Ra > 80 / > 90. Product images are used as an example and may differ from the original. We reserve the right to make changes in order to improve the product.