

Komo 2.0

LINE



DESCRIPTION

The Komo 2.0 linear luminaire meets the highest standards of functional and energy-efficient lighting in commercial interiors. It delivers soft, balanced illumination that prevents glare and reduces visual strain.



Comfortable for customers and employees.

The opal or microprismatic diffuser creates a comfortable illumination and does not blind the eye.



High power of the luminaire.

Power up to 150 W – allows you to use fewer luminaires on a project to achieve the same level of illumination.



Possibility to select a microprismatic diffuser (MF)

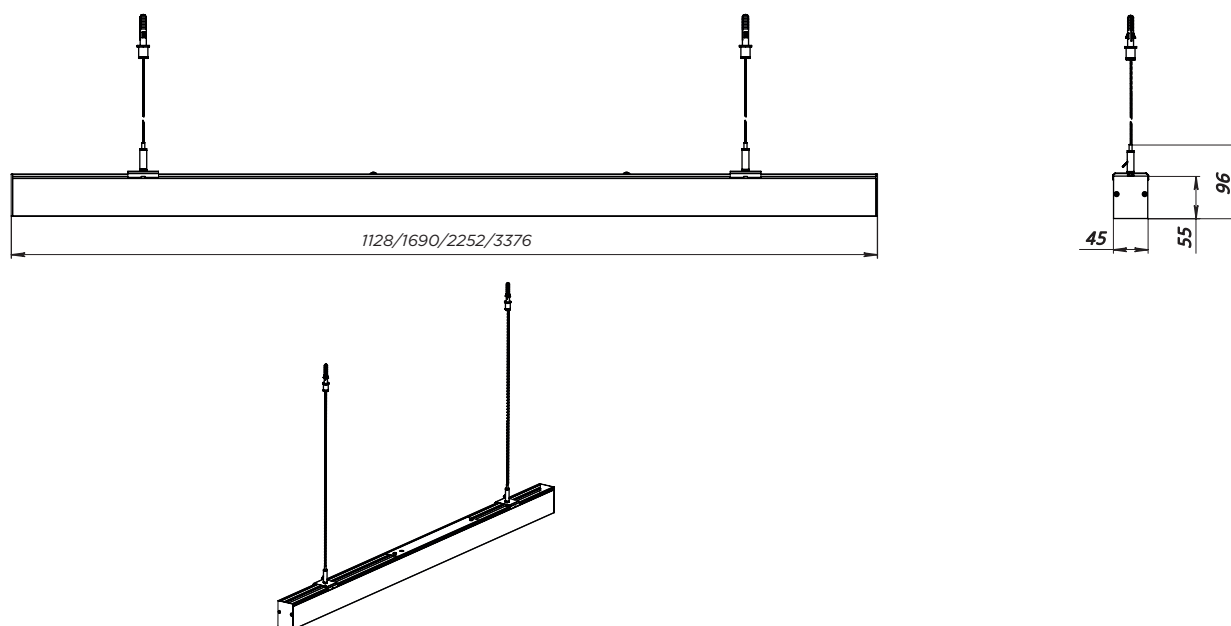
to enhance the luminaire's luminous efficiency.



General specifications

Type of luminaire	Line (linear light)
Application areas	general lighting
Supply unit	LED Driver integrated
Nominal voltage	230V, 50Hz
Lighting technology	LED SMD 2835
Optic	PC
Power factor	0.95
Cooling	passive
Body	aluminum
Weight	1.6/2.5/3.2/4.5 kg
Package	Single / group
Life time	50,000 hours.
Warranty	5 years/50,000 hours
Certification	CE, UKCA, UA

Dimensions



Application area



Komo 2.0

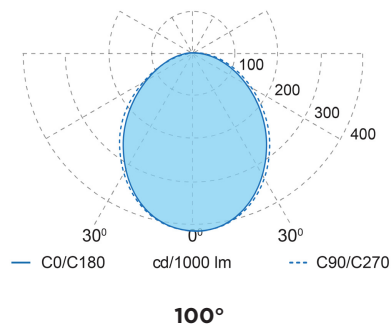
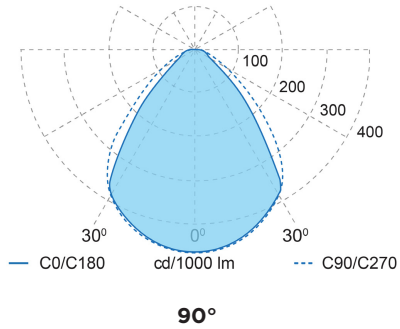
LINE

Nomenclature

Luminaire LINE Komo 2.0													
Order type	Conditional length	Linear luminaire configuration	Type of main cable for a linear luminaire	Type of luminaire board	Luminaire Filter Type	Luminaire Beam Angle	Luminaire Power, W	CRI/ Color temperature, K	Luminaire Color Temperature, K	Luminaire Mounting Type	Luminaire IP Rating	Luminaire Housing Color	
SO	600	SN CM	3x1.5	1R	OF MF	100° 90°	20	8	3000 3500 4000	SP SM	IP21	BL	black RAL 9005
							25						
	1200	20 25 30 35 40 45 50	9	3000 3500 4000	WH	white RAL9016							
							30						
							35						
							40						
							45						
							50						
	1700	30 35 40 45 50 55 60 65 70	9	3000 3500 4000	WH	white RAL9016							
							35						
							40						
							45						
							50						
							55						
							60						
	2200	40 45 50 55 60 65 70 75	9	3000 3500 4000	WH	white RAL9016							
							45						
							50						
							55						
							60						
65													
3400	60 70 80 90 100 110 120 130 140 150	9	3000 3500 4000	WH	white RAL9016								
						60							
						70							
						80							
						90							
						100							
						110							
120													
130													
140													
150													

The deviation of actual power consumption from the specified values does not exceed ±5%;
 The luminous flux calculation is based on LEDs with a color temperature of 4000K, CRI80. The deviation of luminous flux from the specified values does not exceed ±10%

Beam angle option



Technical details, as well as size and weight parameters were prepared as accurately as possible. All dimensions in mm. LED Lifetime Information - L90 / B10 at 25 °C ambient temperature. A tolerance of +/- 10% applies to luminous flux and performance characteristics. Minimum color rendering indices Ra > 80 / > 90. Product images are used as an example and may differ from the original. We reserve the right to make changes in order to improve the product.