

Komo

LINE



DESCRIPTION

Like any linear luminaire, the Komo linear luminaire is part of the design of the room, the soft diffused light from the opal or microprismatic diffuser does not irritate the eye. You can see this lamp in a school or sports club, office or store.

This model can be assembled into a line up to 50 meters long.



Comfortable for customers and employees.

The opal or microprismatic diffuser creates a comfortable illumination and does not blind the eye.



High power of the luminaire.

Power up to 150 W - allows you to use fewer luminaires on a project to achieve the same level of illumination.



Possibility to select a microprismatic diffuser (MF)

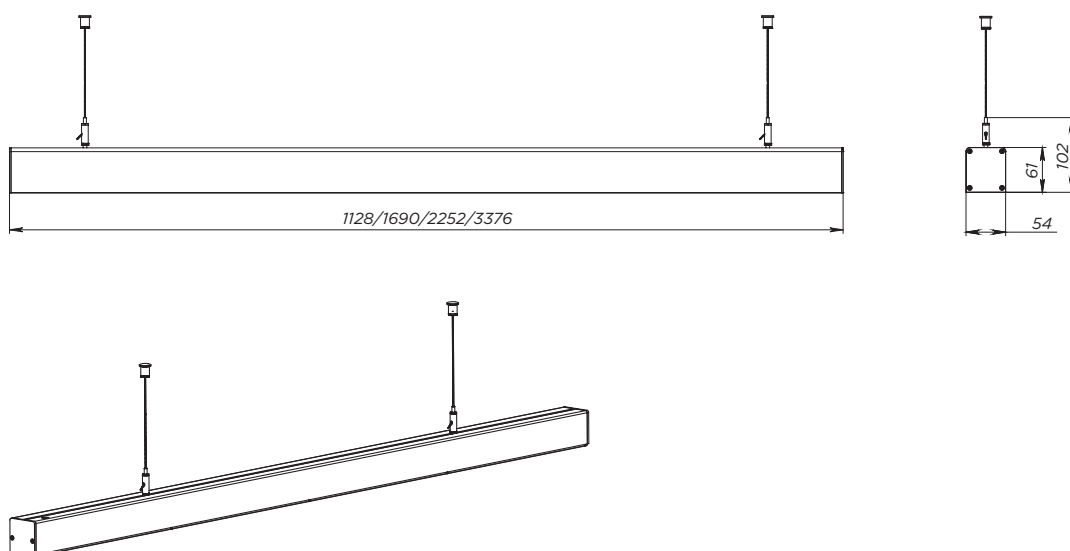
to enhance the luminaire's luminous efficiency.



General specifications

Type of luminaire	Line (linear light)
Application areas	general lighting
Supply unit	LED Driver integrated
Nominal voltage	230V, 50Hz
Lighting technology	LED SMD 2835
Optic	PC
Power factor	0.95
Cooling	passive
Body	aluminum
Weight	1,6/2,6/3,3/4,6 kg
Package	Single / group
Life time	50,000 hours.
Warranty	5 years/50,000 hours
Certification	CE, UKCA, UA

Dimensions



Application area



Komo

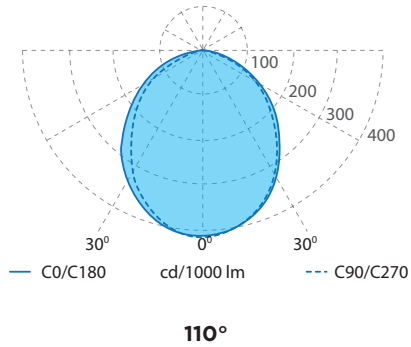
LINE

Nomenclature

Luminaire LINE Komo														
Order type	Conditional length	Linear luminaire configuration	Type of main cable for a linear luminaire	Type of luminaire board	Luminaire Filter Type	Luminaire Beam Angle	Luminaire Power, W	CRI/ Color temperature, K	Luminaire Color Temperature, K	Luminaire Mounting Type	Luminaire IP Rating	Luminaire Housing Color		
SO	600	SN CM CS CE	3x1.5	1R	OF MF	110°	20	8	3000 3500 4000	SP SM	IP21	BL	black RAL 9005	
							25							
							30							
							35							
							40							
	45													
	50													
	35						WH							white RAL9016
	40													
	45													
	50													
	55													
	1700						2200					60		
												65		
												70		
												45		
												50		
	3400											55		
												60		
												65		
70														
75														
		80												
		90												
		100												
		110												
		120												
		130												
		140												
		150												

The deviation of actual power consumption from the specified values does not exceed ±5%;
 The luminous flux calculation is based on LEDs with a color temperature of 4000K, CRI80. The deviation of luminous flux from the specified values does not exceed ±10%

Beam angle option



Technical details, as well as size and weight parameters were prepared as accurately as possible. All dimensions in mm. LED Lifetime Information - L90 / B10 at 25 °C ambient temperature. A tolerance of +/- 10% applies to luminous flux and performance characteristics. Minimum color rendering indices Ra > 80 / > 90. Product images are used as an example and may differ from the original. We reserve the right to make changes in order to improve the product.