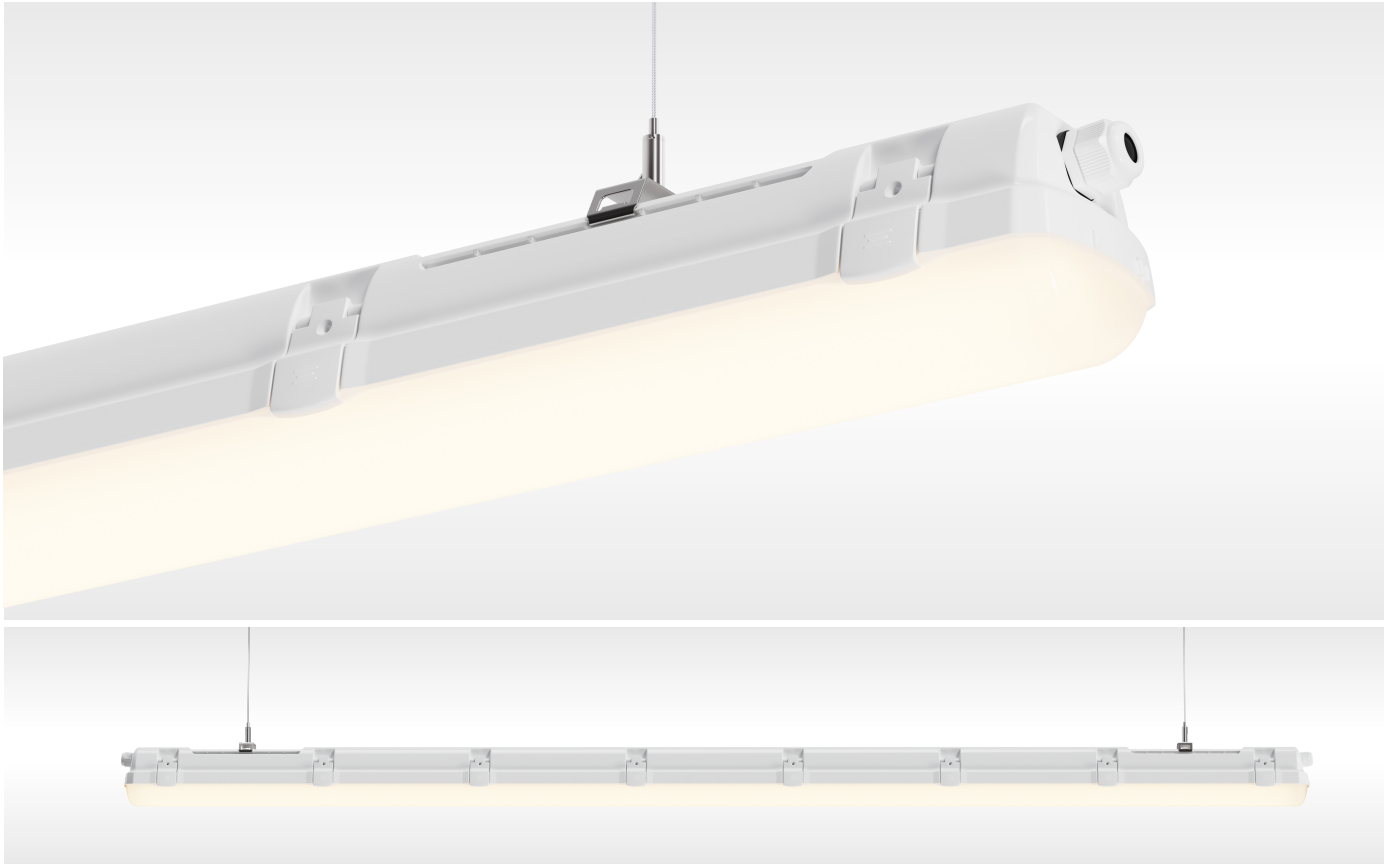


# Alba

## LINE



## DESCRIPTION

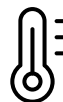
The Alba one-row industrial LED light fitting features a diffuser made of translucent polycarbonate. It is designed for use in industrial indoor and covered outdoor spaces, such as warehouses, sports facilities, workshops, garages, transport terminals, utility structures, and laboratories where there is no risk of gas, dust, or combustible fumes.

The light fitting is resistant to dust, moisture, and splashing water, with both the body and diffuser made from impact-resistant and deformation-resistant polycarbonate.



### **Durable and Versatile.**

Impact-resistant polycarbonate and IP66 rating for reliable performance in harsh conditions.



### **Wide Temperature Range and Longevity.**

Operates from  $-25^{\circ}\text{C}$  to  $45^{\circ}\text{C}$  with a 50,000-hour lifespan.



### **Flexible Mounting and Easy Installation.**

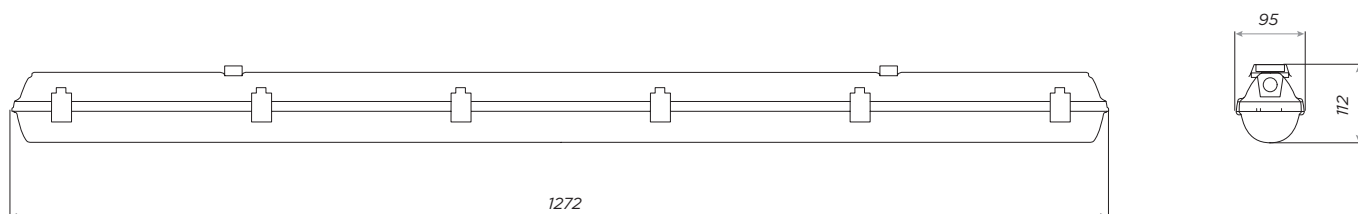
Multiple mounting options and screwless terminals for quick setup.



## General specifications

Type of luminaire	Line (linear light)
Application areas	general lighting
Supply unit	LED driver
Nominal voltage	230V, 50Hz
Lighting technology	LED SMD 2835
Optic	PC
Power factor	0.95
Optical System Durability	IK10
Cooling	passive
Body	PC, IP66
Weight	1.85 kg
Package	Single / group
Life time	50,000 hours.
Warranty	5 years/50,000 hours
Certification	CE, UKCA, UA

## Dimensions



## Scope of application



# Alba

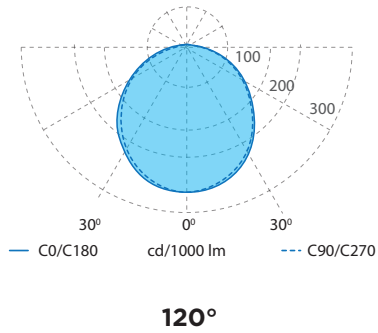
## LINE

### Nomenclature

Luminaire LINE Alba																						
Order type	Conditional length	Type of luminaire board	Luminaire Filter Type	Luminaire Beam Angle	Luminaire Power, W	Luminous Flux, Lm	CRI/ Color temperature, K	Luminaire Mounting Type	Luminaire IP Rating	Luminaire Housing Color	CO	1200	1R	OF	120°	26W	3830Lm	840	SP	IP65	NC	
CO	1200	1R	OF	120°	26	3830	840 CRI80, 4000	SP SM	IP65	NC												

The deviation of actual power consumption from the specified values does not exceed  $\pm 5\%$ ;  
The luminous flux calculation is based on LEDs with a color temperature of 4000K, CRI80. The deviation of luminous flux from the specified values does not exceed  $\pm 10\%$

## Beam angle



Technical details, as well as size and weight parameters were prepared as accurately as possible. All dimensions in mm. LED Lifetime Information - L90 / B10 at 25 °C ambient temperature. A tolerance of +/- 10% applies to luminous flux and performance characteristics. Minimum color rendering indices Ra > 80 / > 90. Product images are used as an example and may differ from the original. We reserve the right to make changes in order to improve the product.